

UHC SERIES QUIET CONVECTOR

QUALITY AT AN UNBEATABLE PRICE

Our UHC convector has rounded corners and a sleek design that is sure to please. It is available with or without an ultra-accurate built-in electronic thermostat, leaving you the option to control it the way you want. This quiet and slim unit will go unnoticed wherever you place it. A real gem!



EASY ON THE BUDGET

WHILE BLENDING WITH EVERY DECOR

MODERN LOOK

ROUNDED EDGES AND SLEEK LINES

TOTALLY QUIET

BUILT-IN ELECTRONIC THERMOSTAT AVAILABLE
OPTIONAL

ALSO AVAILABLE:



IDEAL FOR:

KITCHEN, LIVING ROOM, BASEMENT, BEDROOM, SOLARIUM

COLOUR

white

FINISH

epoxy-polyester powdercoat

MANUFACTURING

- 22-gauge steel cabinet
- the cabinet height improves the chimney effect
- 22-gauge steel front
- bottom air intake and front air discharge

ELEMENT

two stainless steel tubular sheathed elements isolated with nylon sleeves reducing expansion and contraction noises

CONTROL

- built-in electronic thermostat with LCD screen (optional)
- wall thermostat (not included)

INSTALLATION

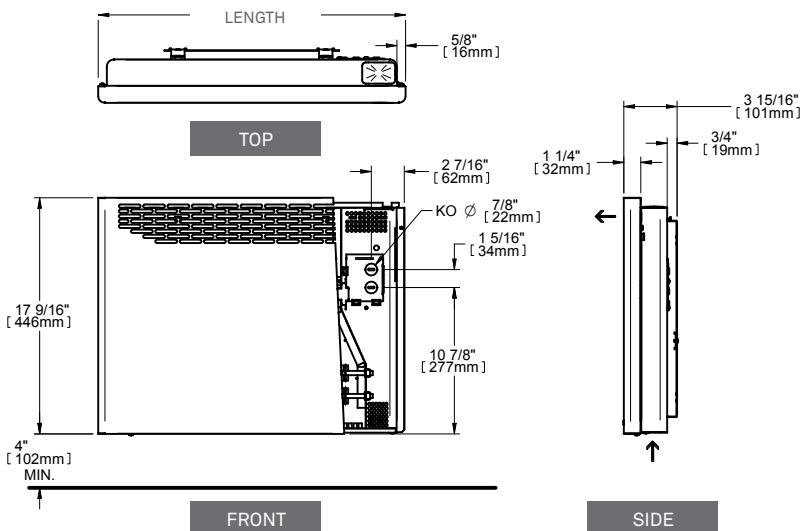
- surface mounted
- wall mounted at least 4 in. from the floor
- concealed mounting bracket (included)
- back entry plate with cable clamps (included)



TECHNICAL SPECIFICATIONS

BUILT-IN THERMOSTAT	WITHOUT THERMOSTAT	POWER	VOLTAGE	HEIGHT		LENGTH		WEIGHT	
CODE	CODE	WATTS	VOLTS	MM	IN.	MM	IN.	KG	LB
UHC0502W	UHC0502WCW	500	240	446	17 9/16	440	17 5/16	5.1	11.2
UHC1002W	UHC1002WCW	1000	240	446	17 9/16	581	22 7/8	6.0	13.3
UHC1502W	UHC1502WCW	1500	240	446	17 9/16	727	28 5/8	7.1	15.7
UHC2002W	UHC2002WCW	2000	240	446	17 9/16	889	35	8.6	18.9
120 V PLUG-IN MODEL (RESIDENTIAL OUTLET)									
UHC1501PW	---	1500	120	446	17 9/16	727	28 5/8	7.1	15.7

TECHNICAL DRAWINGS



*STELPRO reserves the right to modify descriptions or manufacturing specifications without prior notice. * Ten years on the element.